

Cutting Systems, Inc.
 774 Zeb Road
 Union Grove, NC 28689
 Phone: 704-592-2451
 Fax: 704-592-4458
 www.cuttingssys.com

CSI R-60 Circle Saw Order Form

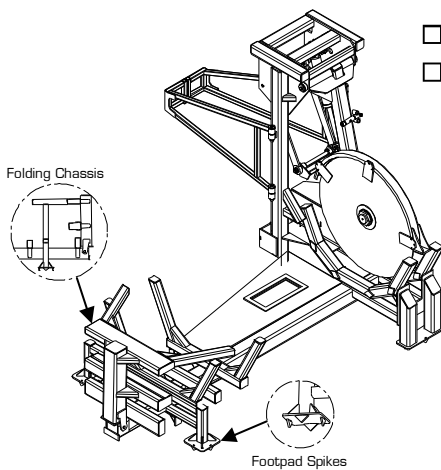


Dealer Name _____ Store/Location _____
 Address _____
 City _____ State _____ Zip _____

Order Date _____
 Sales Order No. _____
 Purchase Order No. _____
 Expected Delivery Date _____

STEP 1: Select Saw Box Style

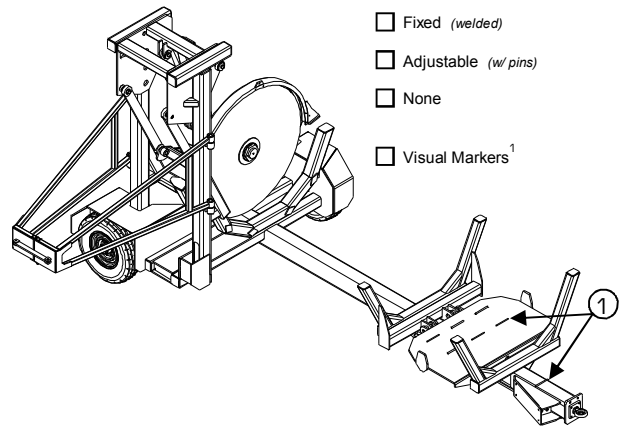
R-60CS Stationary



Stationary Options:

- Folding Chassis
- Footpad Spikes

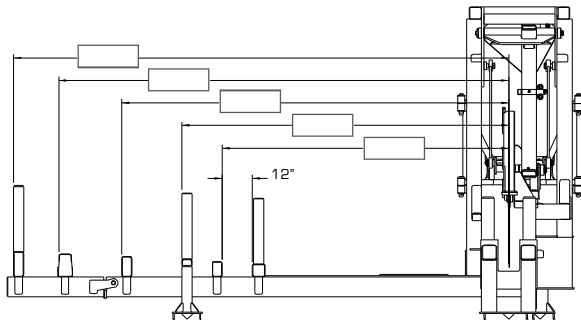
R-60CS Mobile



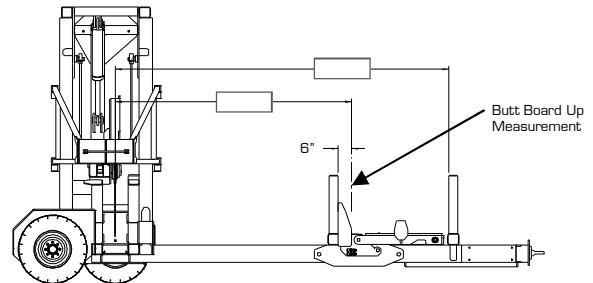
Butt Board Options:

- Fixed (welded)
- Adjustable (w/pins)
- None
- Visual Markers¹

STEP 2: Select Chassis Configuration



- Buck Rises: 2" Rises 1" Rises Flat (No Rise)



- Buck Rises: 2" Rises 1" Rises Flat (No Rise)

STEP 3: Special Instructions

Customer Name: _____ Customer Signature: _____ Date: _____