

CSI Model R-60

CIRCULAR SLASHER



The CSI Model R-60 circular slasher saw has a pendulum swing carriage geometry design that ensures fast cuts and smooth cycles. The R-60 is powered by a Parker piston-type motor designed for many hours of dependable and trouble-free service. The 60-inch heavy-gauge saw blade is equipped with hollow ground carbide tipped inserted teeth to withstand the harsh environment of a typical logging operation.



Cutting Systems, Inc.

Call Toll-Free: 1-877-844-1274

email@cuttingsys.com

Wheel & Tongue Model 60" Circular Saw



From the Sunny South...



Hollow Ground Carbide Tipped Inserted Teeth



Pendulum Swing Design



Piston-type Motor



Heavy-duty Wheels & Hub Assembly

Stationary Ground Model 60" Circular Saw



...to the Frozen North— We've got you covered!



Heavy-duty Legs

The legs provide extra stability for the saw to ensure a smooth, even cut on the most uneven ground.

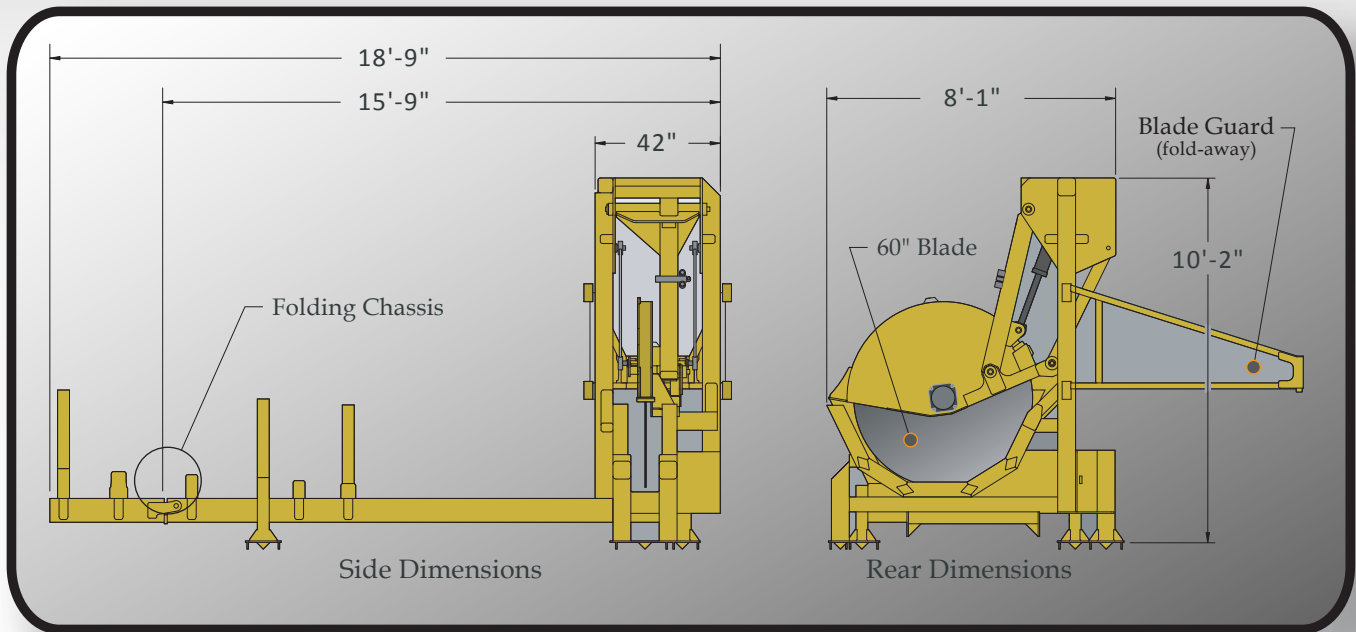
Fold-up Chassis

The folding chassis keeps the saw compact enough to fit easily on the loader trailer for transporting.

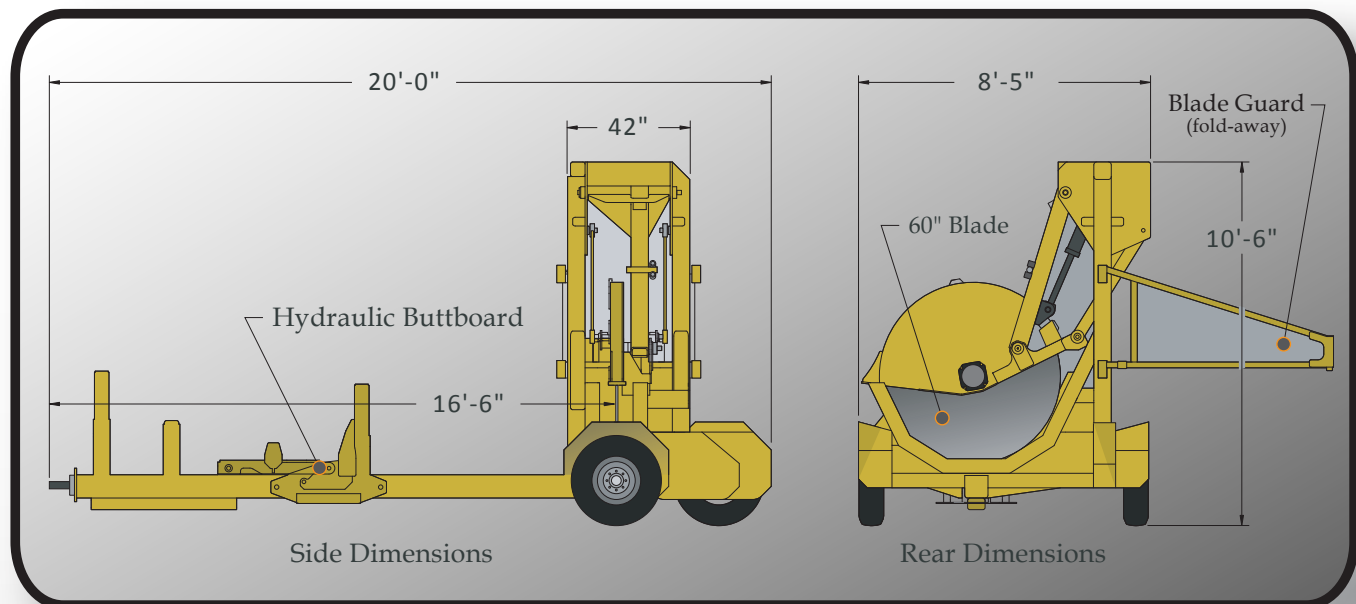
Easy Pick-up

The pick-up point is centered to make it convenient to relocate the saw on the jobsite with minimum effort.

Stationary Ground Model 60" Circular Saw



Wheel & Tongue Model 60" Circular Saw



Cutting Systems, Inc.
774 Zeb Road
Union Grove, NC 28689

www.cuttingsys.com

Cutting Systems, Inc. reserves the right to change specifications and to add improvements to our products at any time without notice or obligation.

2012-04